



www.indbus.eu

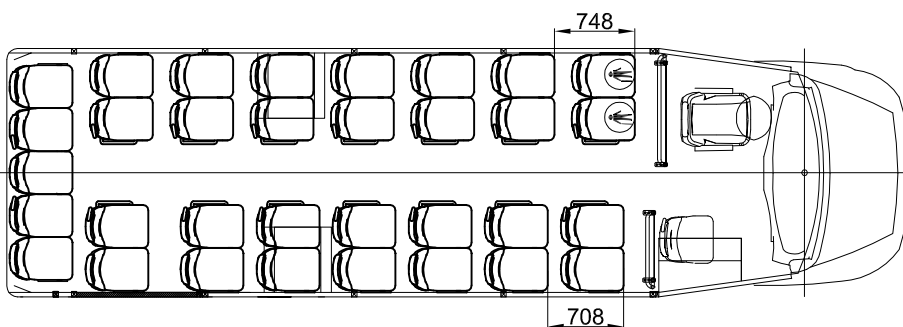
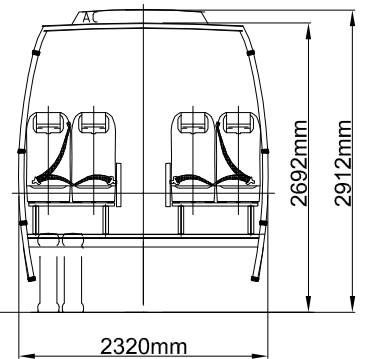
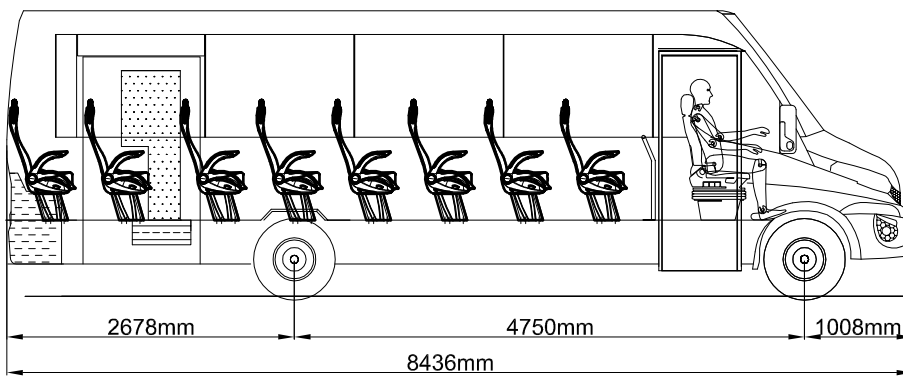
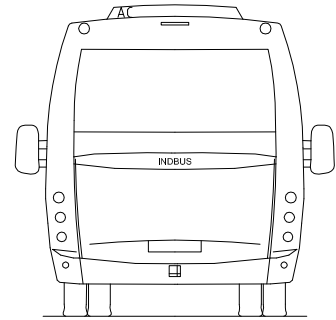
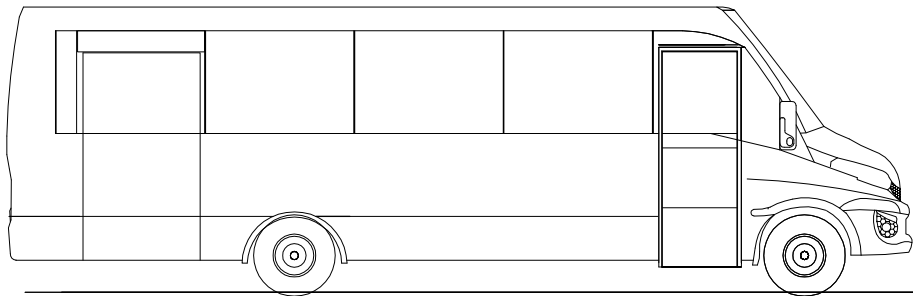
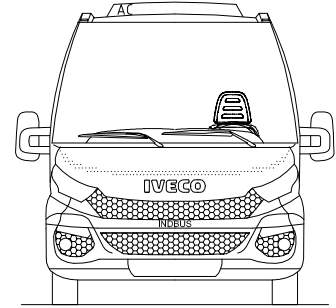
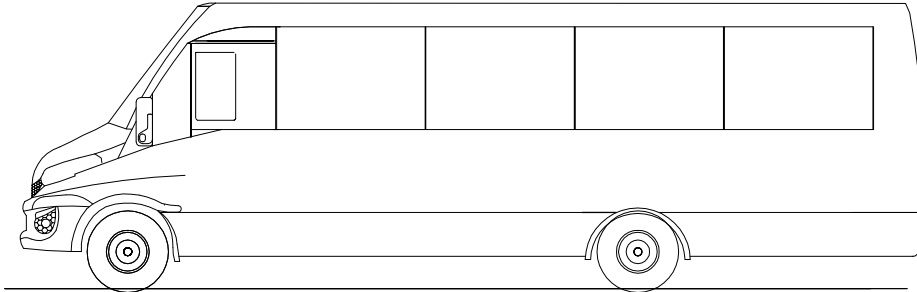
Spartano NL Intercity 1

with rear emergency door

Iveco Daily

Seats 33+1+1*

*Hosstes seat are optional



Optional luggage compartment:

Rear 0.6 m²