

www.indbus.eu

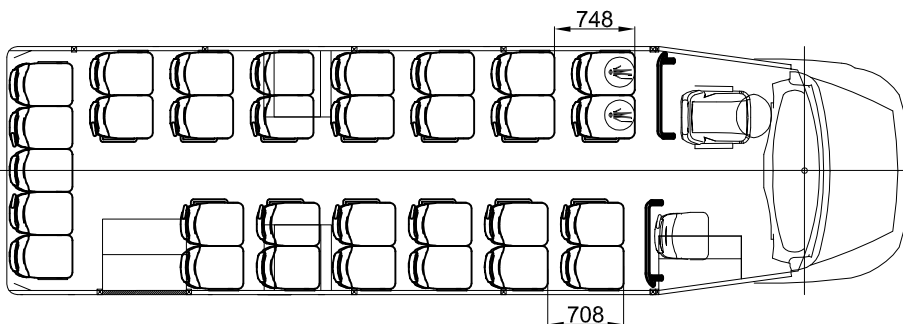
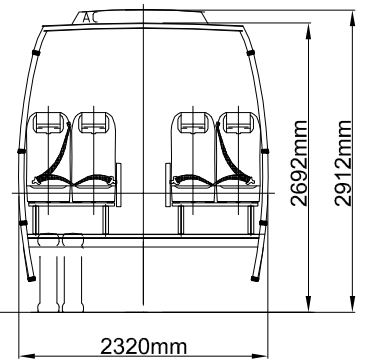
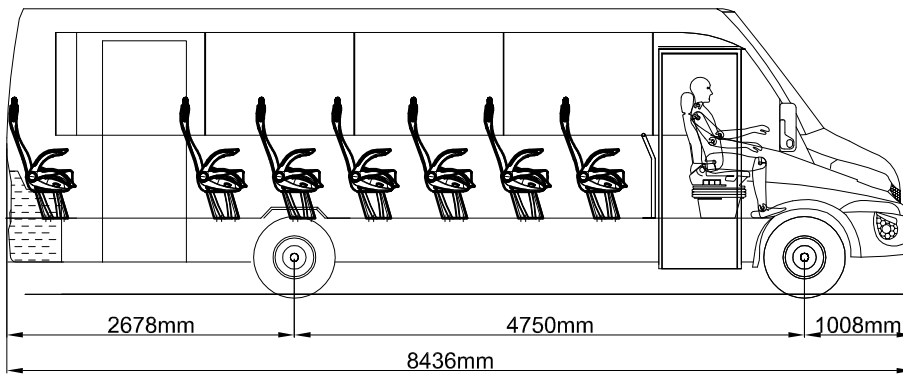
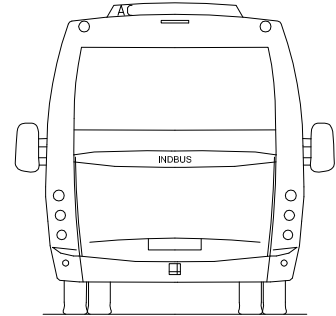
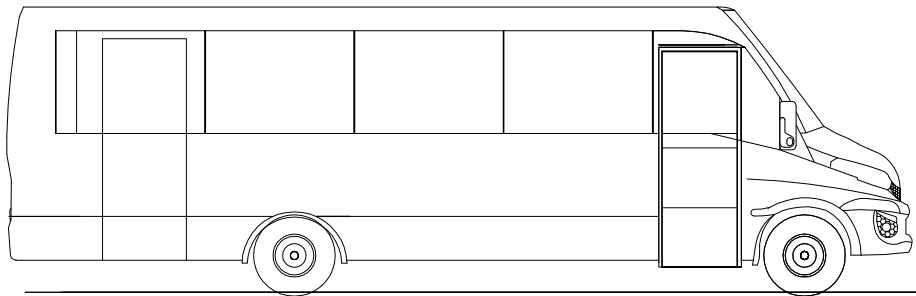
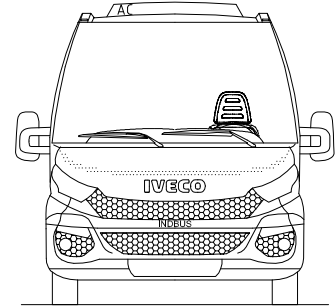
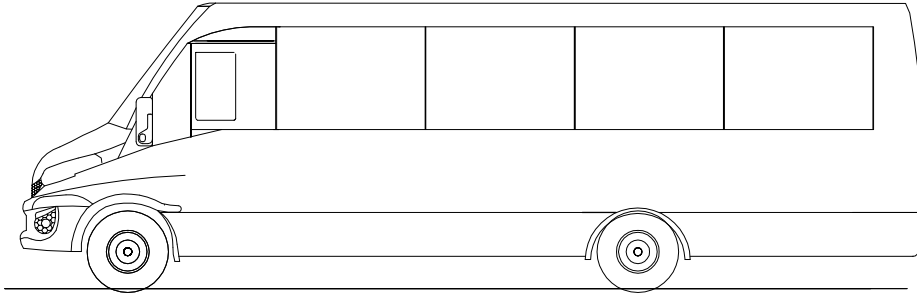
Spartano NL Intercity 2

with rear service door

Iveco Daily

Seats 31+1+1*

*Hosstes seat are optional



Optional luggage compartment:

Rear 0.6 m²