



www.indbus.eu

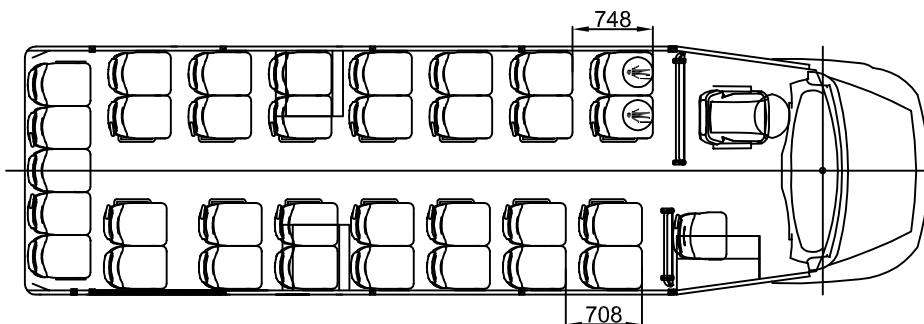
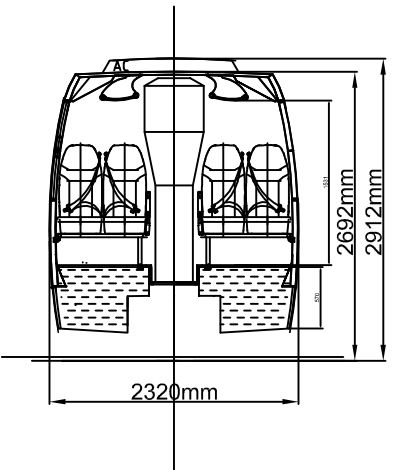
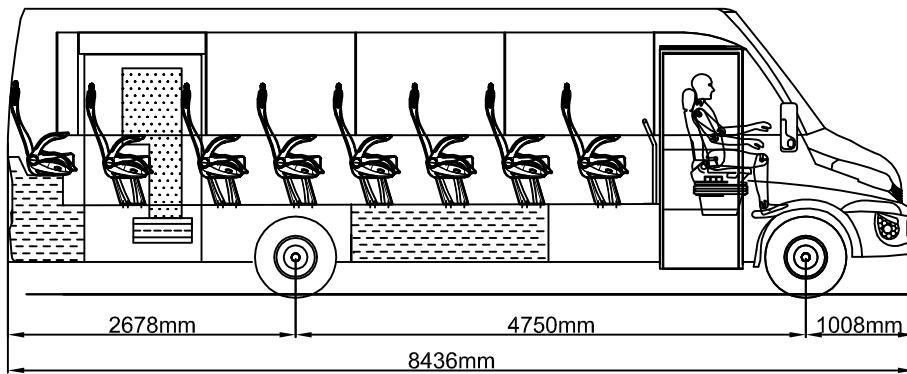
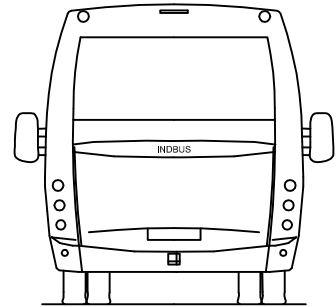
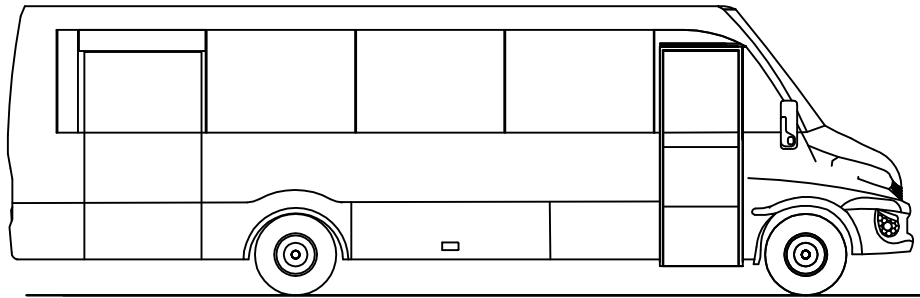
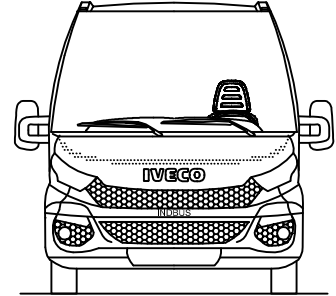
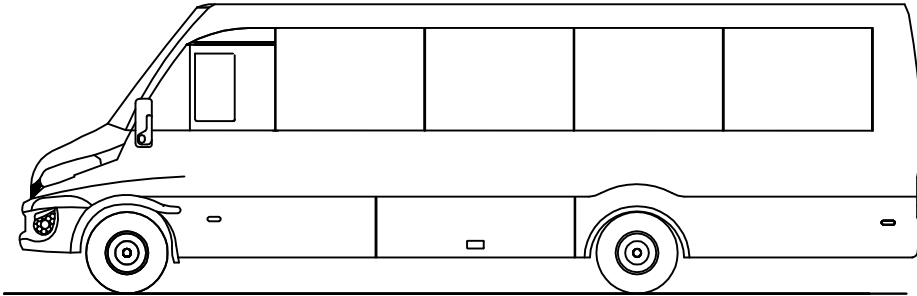
# Spartano NL Mixt 1

with rear emergency door

Iveco Daily

Seats 33+1+1\*

\*Hosstes seat are optional



### LUGGAGE COMPARTMENTS:

central:

left: 0.86 m<sup>3</sup>

right: 0.86 m<sup>3</sup>

rear: 0.95 m<sup>3</sup>

Total: 2.67 m<sup>3</sup>