



www.indbus.eu

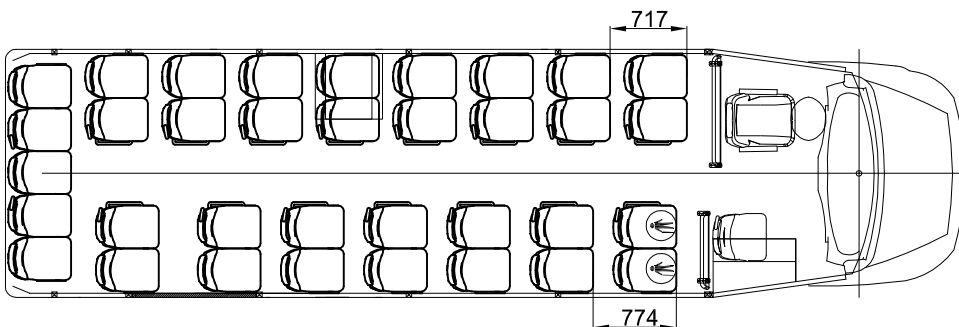
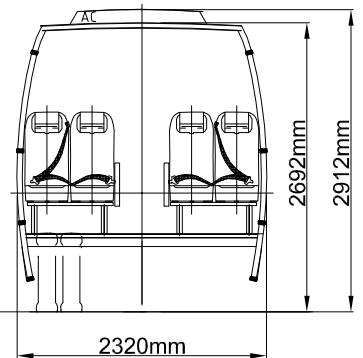
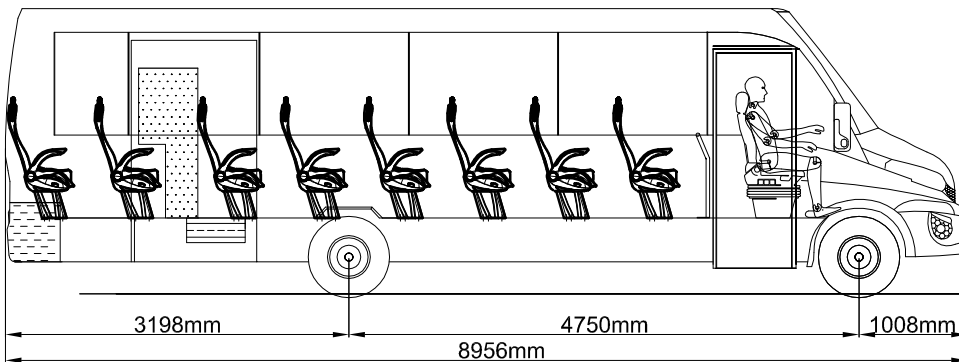
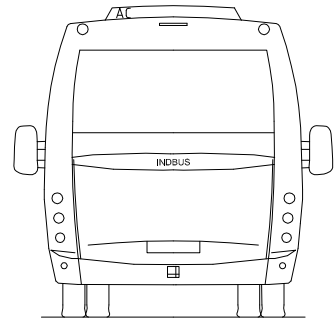
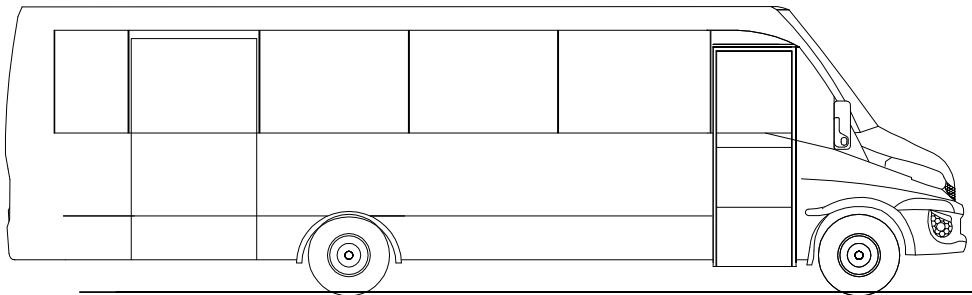
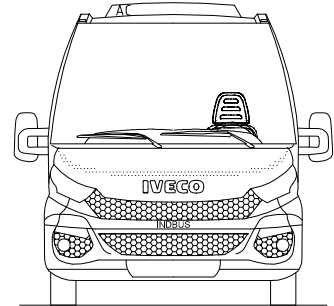
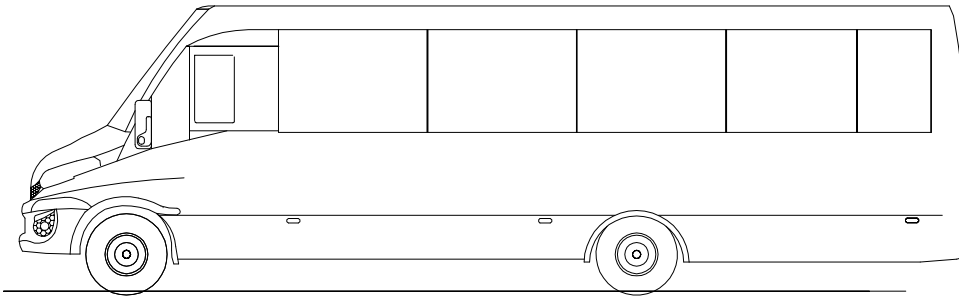
# Spartano XL Intercity 1

with rear emergency door

Iveco Daily

Seats 35+1+1\*

\*Hosstes seat are optional



Optional luggage compartment rear: 0.6 m<sup>3</sup>