



www.indbus.eu

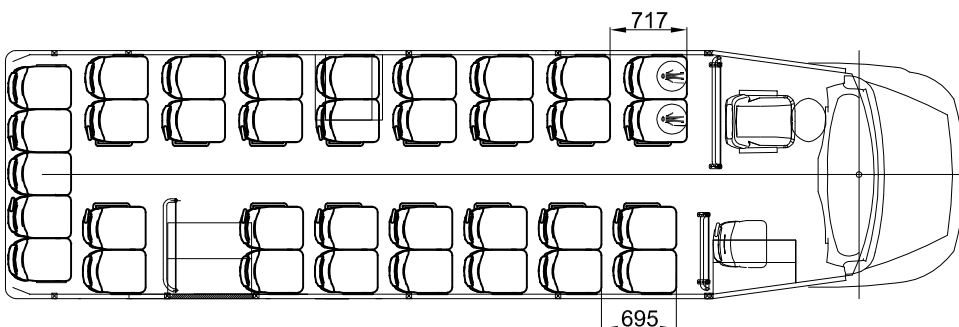
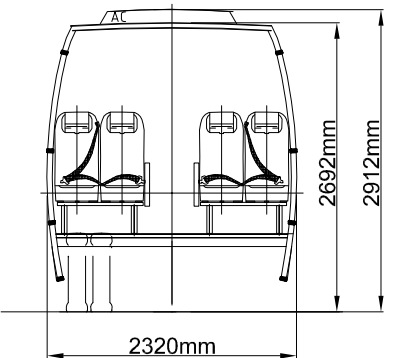
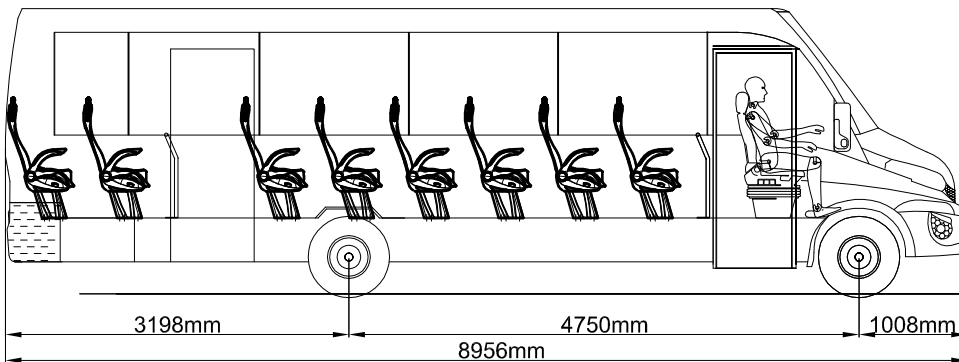
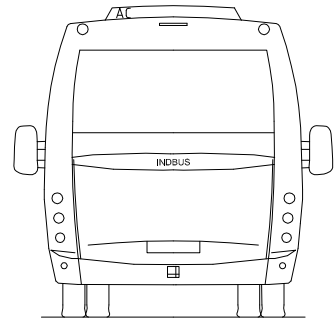
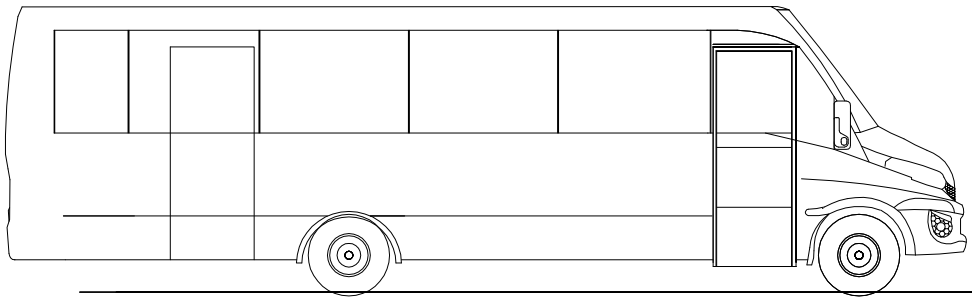
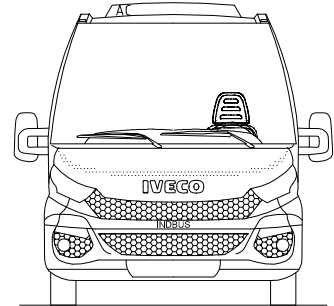
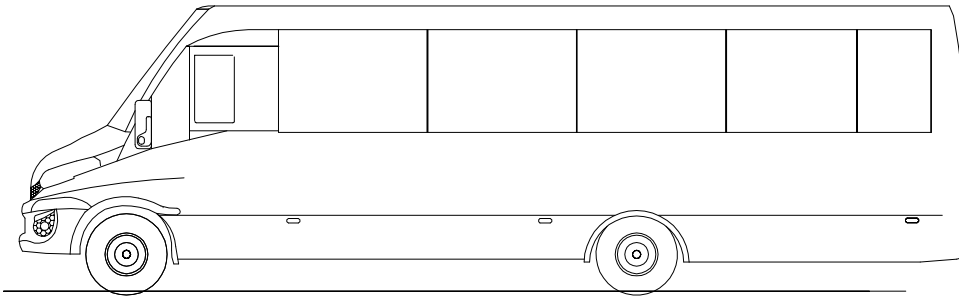
Spartano XL Intercity 2

with rear service door

Iveco Daily

Seats 35+1+1*

*Hosstes seat are optional



Optional luggage compartment rear: 0.6 m³